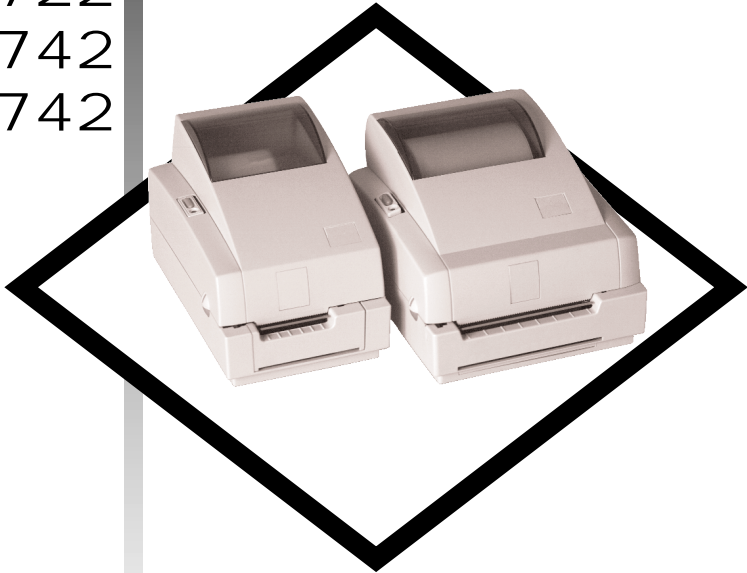


Desktop Thermal Printer User's Manual

2722
2742
3742



Zebra Technologies Corporation

User's Manual No. 980344-001 Rev. A

©2001 Zebra Technologies Corporation

COPYRIGHT NOTICE

This document contains information proprietary to Zebra Technologies Corporation. This document and the information contained within is copyrighted by Zebra Technologies Corporation and may not be duplicated in full or in part by any person without written approval from Zebra Technologies Corporation. While every effort has been made to keep the information contained within current and accurate as of the date of publication, no guarantee is given or implied that the document is error-free or that it is accurate with regard to any specification. Zebra Technologies Corporation reserves the right to make changes, for the purpose of product improvement, at any time.

TRADEMARKS

LP2722, TLP2722, LP2742, TLP2742 and TLP3742 are service marks and Zebra is a trademark of Zebra Technologies Corporation. Windows and MS-DOS are registered trademarks of Microsoft Corp. All other marks are trademarks or registered trademarks of their respective holders.

LP2722, TLP2722, LP2742, TLP2742 and TLP3742 Thermal Printers



European Council Directive		Compliance to Standards	
89/336/EEC	EMC Directive	EN55022-A 1995	RF Emissions control
92/31/EE	EMC Directive	EN50082-1 1992	Immunity to Electromagnetic Disturbances

FCC - DECLARATION OF CONFORMITY:



Models: LP2722, TLP2722, LP2742, TLP2742 and TLP3742 conform to the following specification:

FCC Part 15, Subpart B, Section 15.107(a) and Section 15.109(a) Class B digital device

Supplemental Information:

This device complies with Part 15 of the FCC Rules. Operation is subject to the following Two Conditions: (1) This device may not cause harmful interference, and (2) this device must accept any interference received, including interference that may cause undesired operation.

Industry Canada Notice:

This device complies with Industry Canada ICS-003 class B requirements.

Cet équipement est conforme à l'ICS-003 classe B de la norme Industrielle Canadian

TABLE OF CONTENTS

Installation and Operation

Unpacking Your Printer	2
Getting To Know Your Printer	3
Installation	4
Attach Power	4
Attach Interface Cable	5
Load Media	6
Before You Load Media in the Printer	7
AutoSense	13
Install Software	13
Using Fan-Fold Media	14
Label Dispenser	15
Thermal Transfer Ribbon Loading	18

Appendix A - Troubleshooting 21

Printer Maintenance	22
Printer Configuration Settings	23
Serial Interface Communication Configuration	24
RS-232 Serial Interface Cable Wiring	24
Parallel Interface Cable Wiring	25

General Cautions and Warnings

This page describes general safety and maintenance warnings and cautions for the printer and are referenced throughout the manual.

Warning - Shock Hazard



The printer should never be operated in a location where it can get wet. Personal injury could result.

Warning - Static Discharge



The discharge of electrostatic energy that accumulates on the surface of the human body or other surfaces can damage or destroy the print head or electronic components used in this device. **DO NOT TOUCH** the print head or the electronic components under the print head assembly.

Caution - Printer Setup & Handling



1)When installing or modifying the printer setup or configuration, **ALWAYS TURN POWER OFF Before:**

- A) Connecting any cables.
- B) Performing any cleaning or maintenance operations.
- C) Moving the printer.

Media Warning



Always use high quality approved labels and tags. If adhesive backed labels are used that **DO NOT** lay flat on the backing liner, the exposed edges may stick to the label guides and rollers inside the printer, causing the label to peel off from the liner and jam the printer.

Media Reload Hint



If you should run out of labels while printing, **DO NOT** turn the power switch **OFF (0)** while reloading or data loss may occur. The printer will automatically resume printing when a new label or ribbon roll is loaded.

Print Quality Tip



Print density (darkness) is affected by the heat energy (density setting) applied and by the print speed. Changing both **Print Speed** and **Density** may be required to achieve the desired results.

1

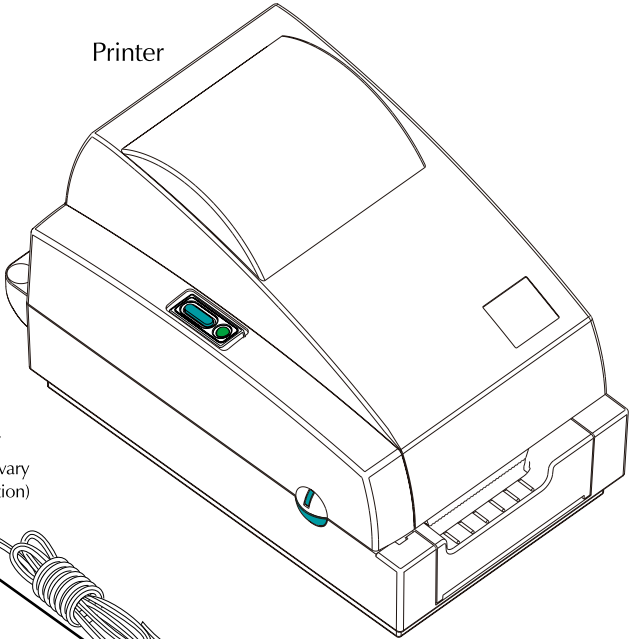
Installation and Operation

This section provides information on the installation and operation of the printer.

The printer is a low cost, desktop thermal bar code printer. LP models are direct thermal. TLP modes are thermal transfer and direct thermal printers. This family of printers is specifically designed for printing labels, tags or continuous receipts (with or without bar codes) from a DOS™, Windows™ or ASCII-based compatible computer.

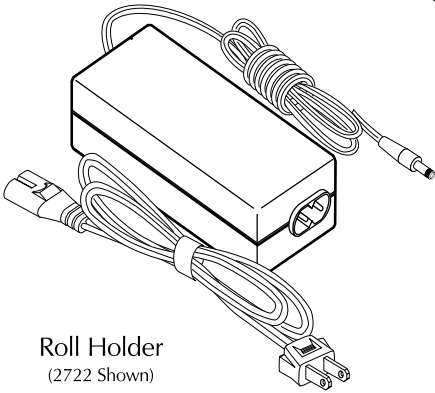
Unpacking Your Printer

Printer



Power Supply

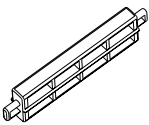
(Power Supply & Cord vary by model & voltage option)



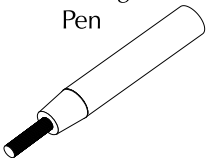
Software & Documentation CD



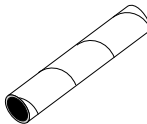
Roll Holder
(2722 Shown)



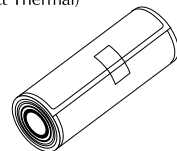
Cleaning Pen



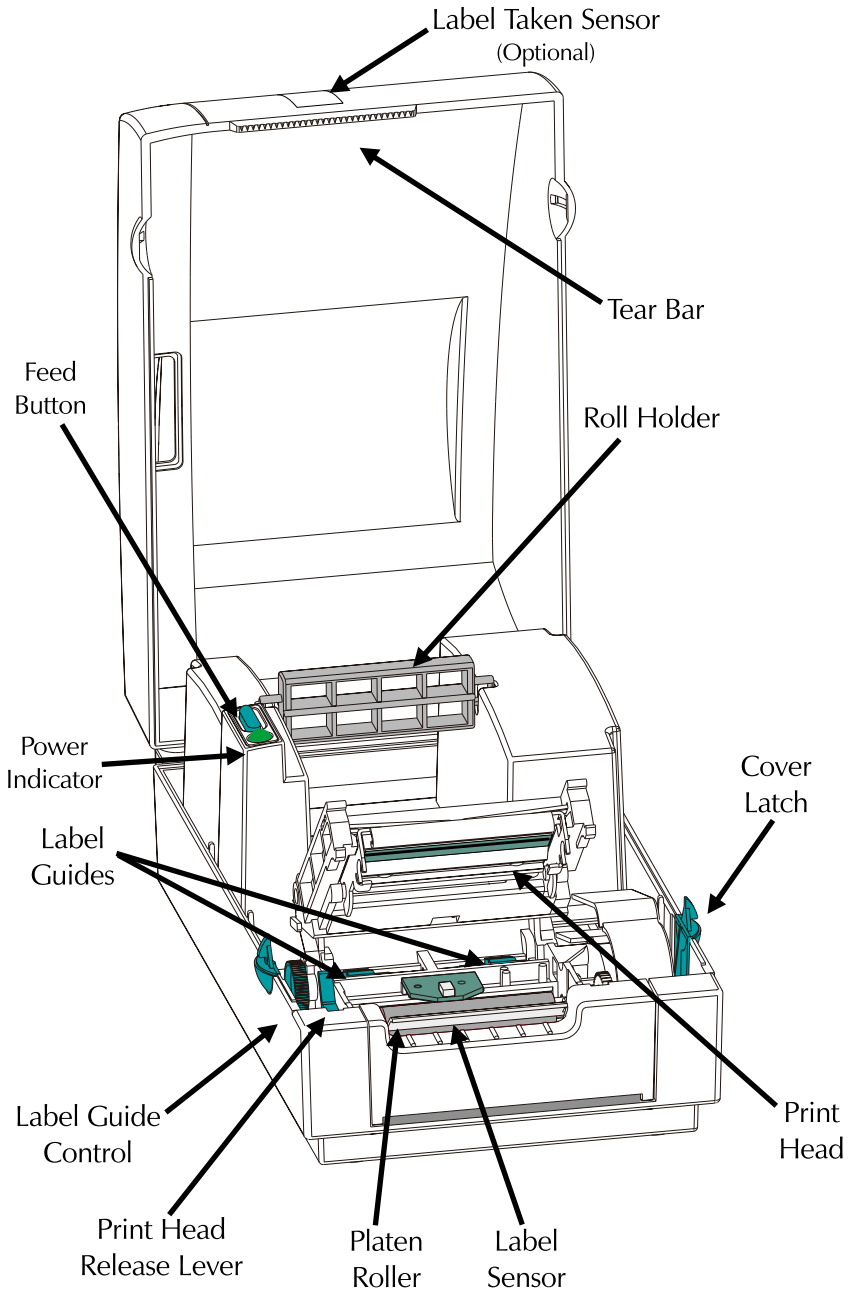
Ribbon Core
(TLP Printer Only)



Sample Labels
(Direct Thermal)



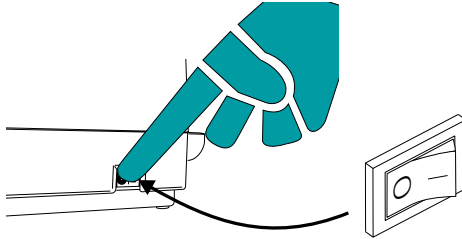
Getting To Know Your Printer



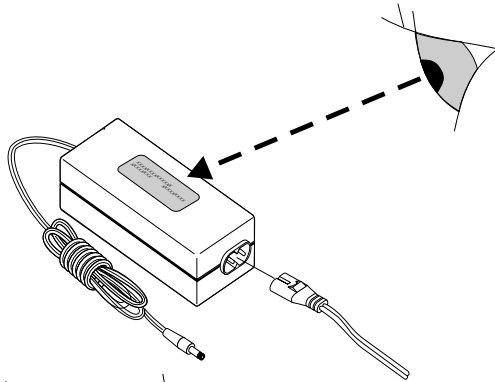
Installation The following steps will guide you through the installation of the printer, media and software.

Step 1 - Attach Power

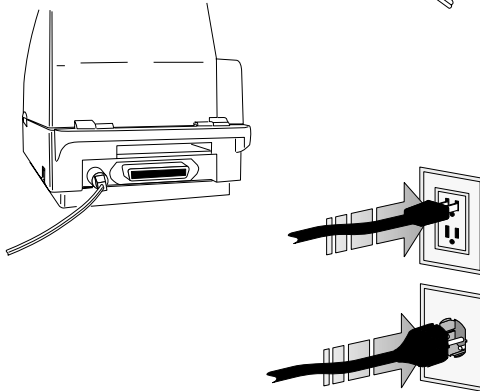
Power OFF



Check Power Module Voltage



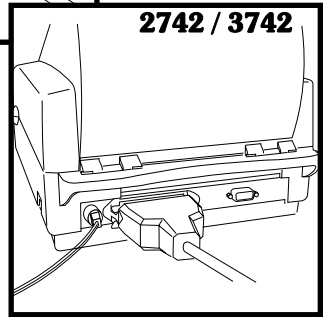
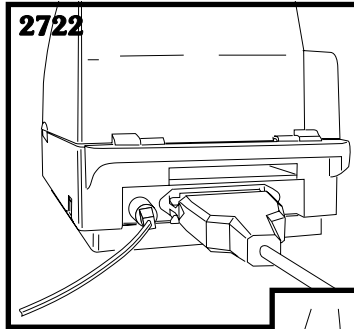
Plug Into Power Module



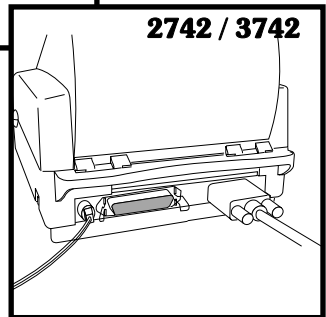
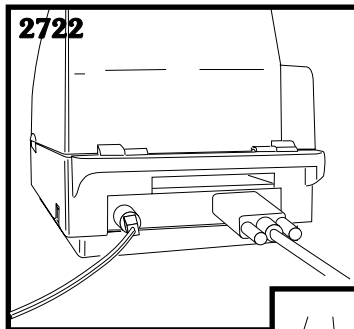
SHOCK HAZARD WARNING
See page iv

Step 2 - Attach Interface Cable

Parallel Interface

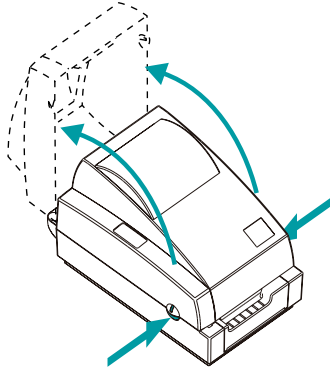


Serial Interface

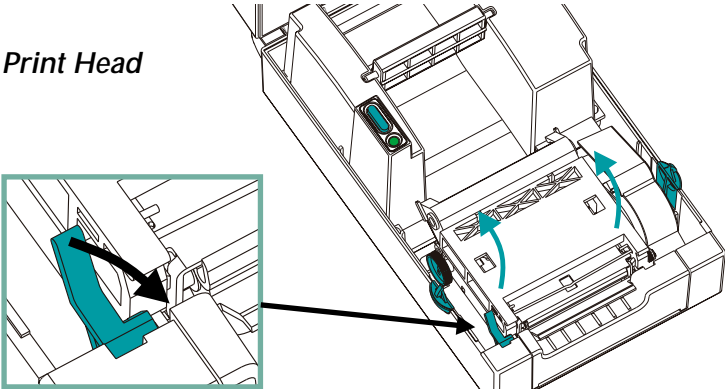


Step 3 - Load Media

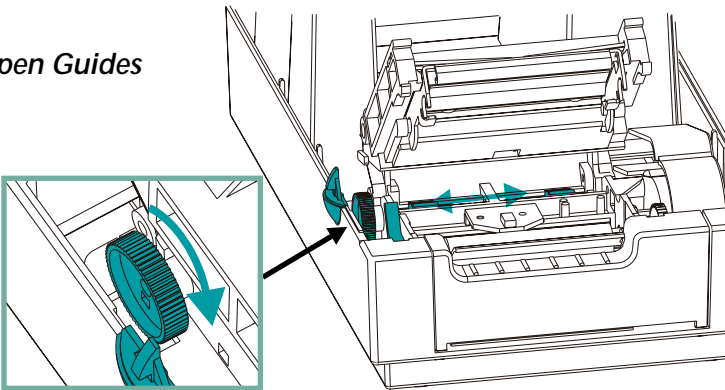
Open Cover



Open Print Head



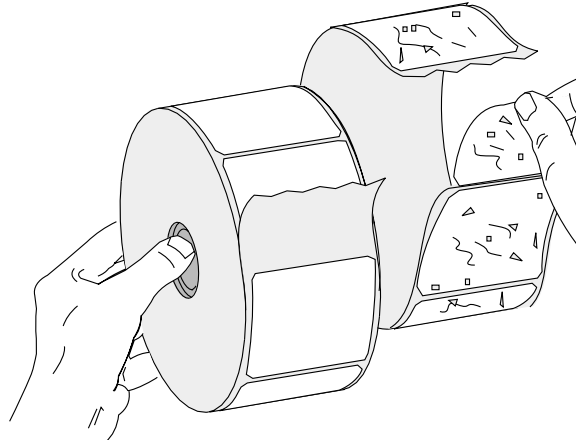
Open Guides



Before You Load Media in the Printer You must remove the outside length of media (that is, one, full revolution of labels and any liner). When you remove this part of the media, you remove the oils, dust, and adhesives that contaminate it. Tape or adhesive holds the loose end and the outside length of media becomes contaminated when handled or stored.

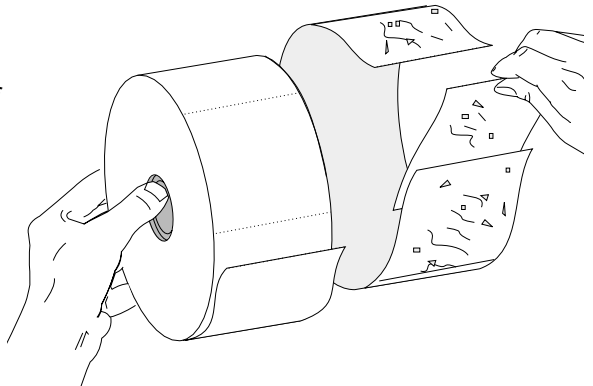
Labels

Remove all labels that are held by adhesives or tape



Tag Stock

Detach both ends of the bottom tag

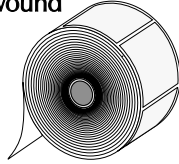


You must avoid dragging adhesive or dirty media between the print head and platen. Such an occurrence damages the print head and is not covered under your warranty. Using clean media prevents damage and reduces wear on the print head and platen.

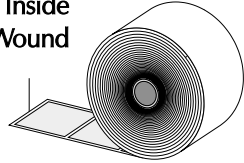
Step 3 - Load Media (cont.)

Media

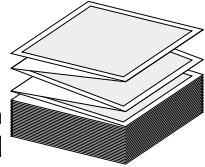
Outside Wound



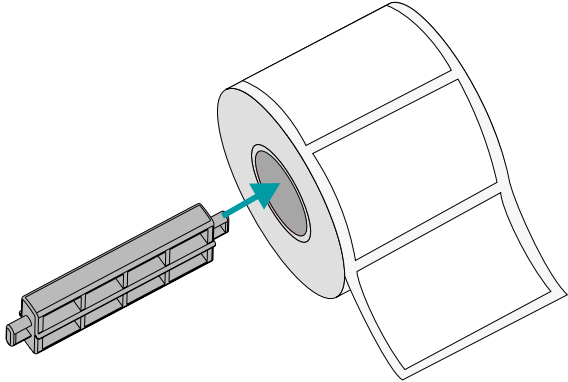
Inside Wound



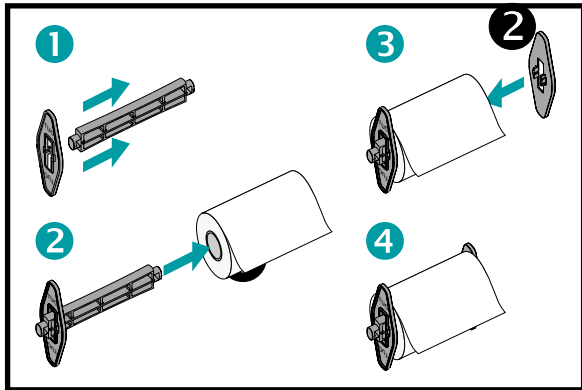
Fan Fold



2722
Install Roll

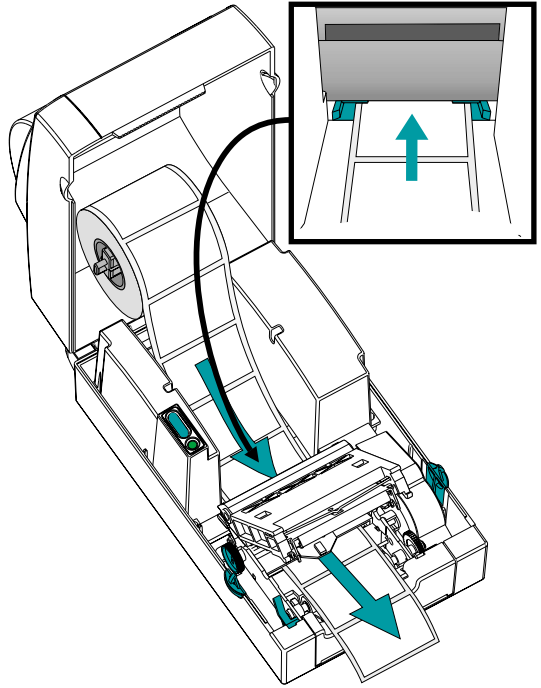


2742 / 3742
Install Roll

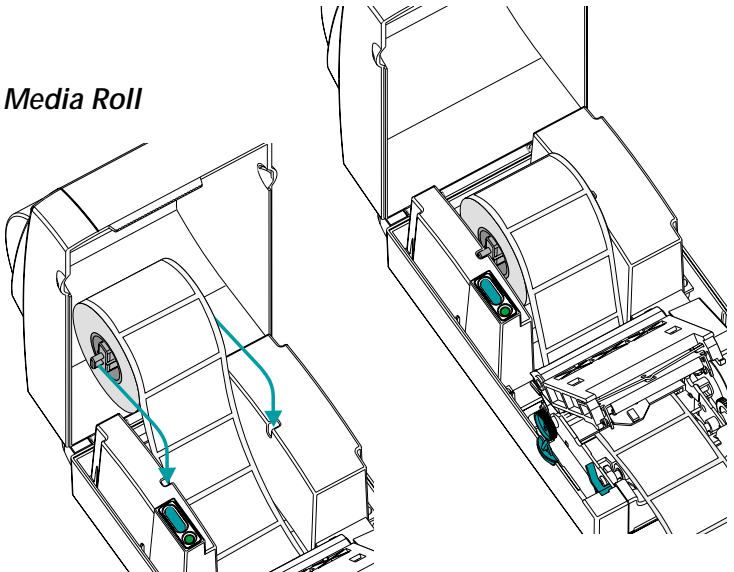


Step 3 - Load Media (cont.)

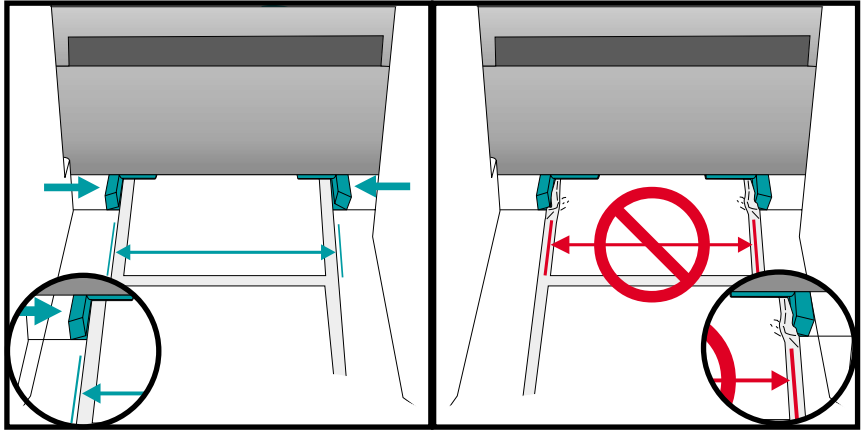
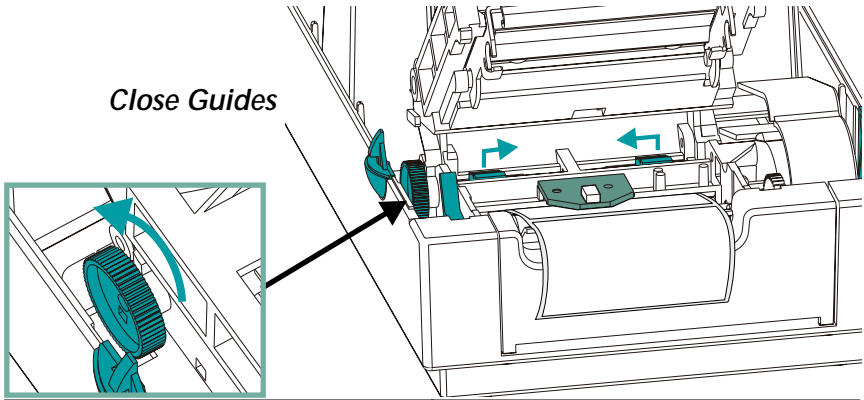
Thread the Media



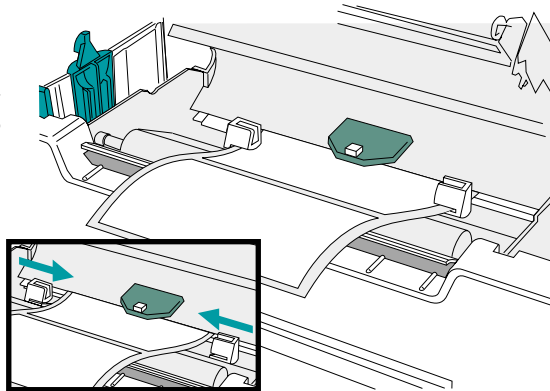
Seat Media Roll



Step 3 - Load Media (cont.)



Close Guides
2742 / 3742

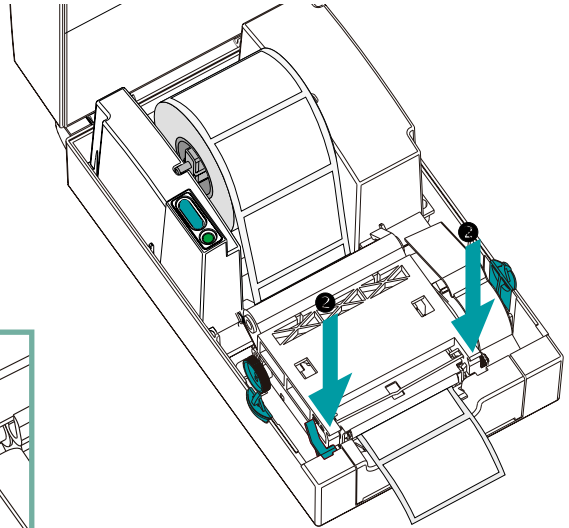
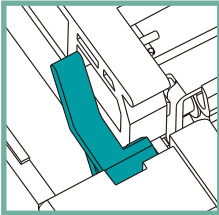


Step 3 - Load Media (cont.)

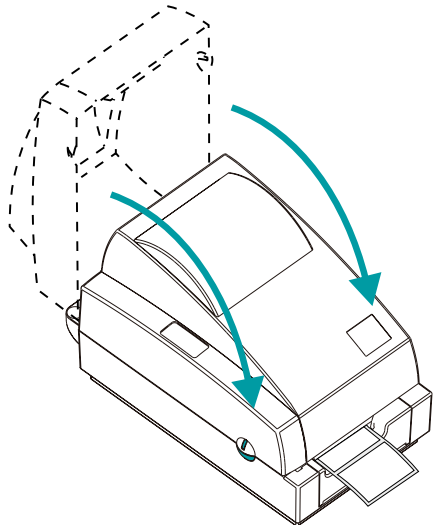
Close Print Head



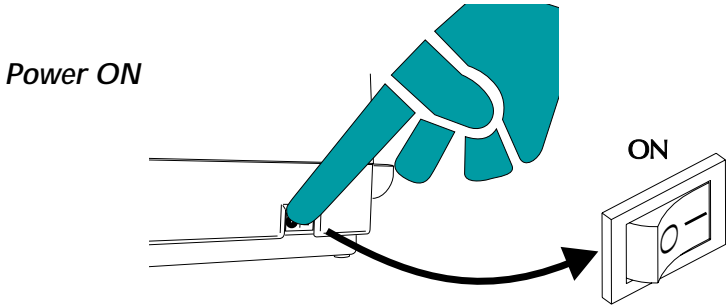
1 - Verify



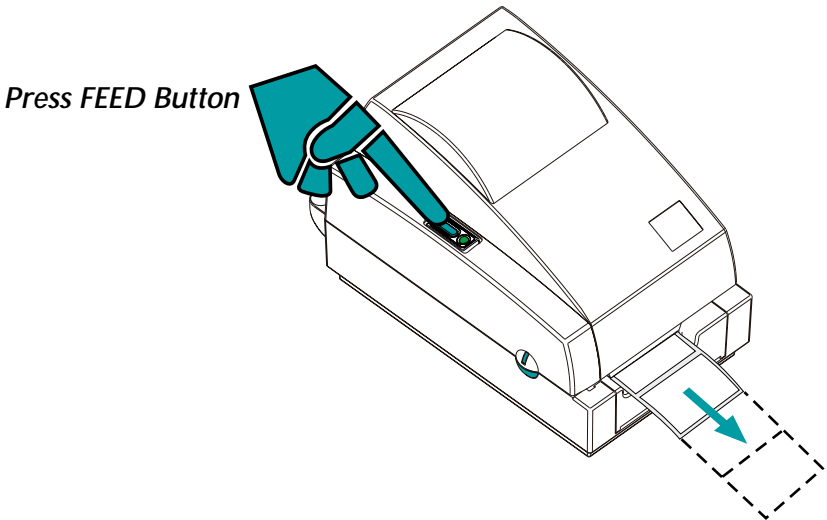
Close Cover



Step 3 - Load Media (cont.)



If the indicator fails to light, refer to Appendix A - Trouble Shooting.



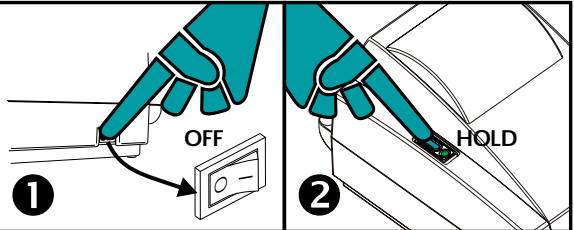
Run the AutoSense routine.

Step 4 - AutoSense



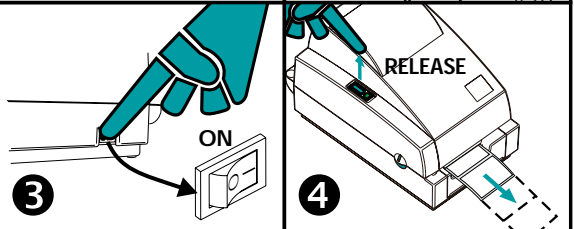
Power OFF

**Press & Hold
FEED Button**



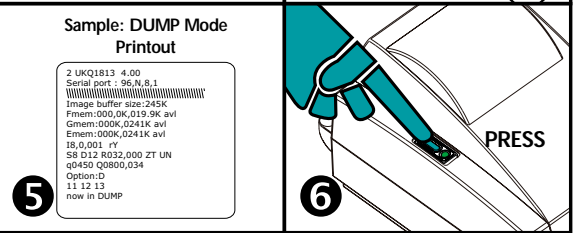
Power ON

Release FEED Button



**Print Status
(Dump Mode Printout)**

Press FEED Button



Sample: DUMP Mode
Printout

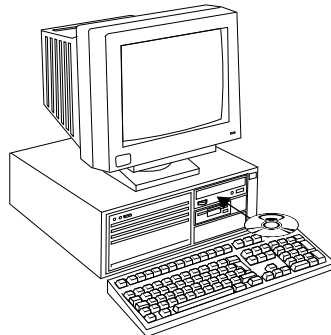
```

2 UKQ1813 4.00
Serial port : 96,N,8,1
Image buffer size:245K
Fmem:000,0K,012,2K:svl
Gmem:000K,0241K:avl
Emem:000K,0241K:avl
18,0,001:ry
S8 D12 R032,000 ZT UN
00450 00800,034
Option:D
11 12 13
now in DUMP
    
```

Step 5 - Install Software

Computer ON

**Insert Printer
CD ROM**

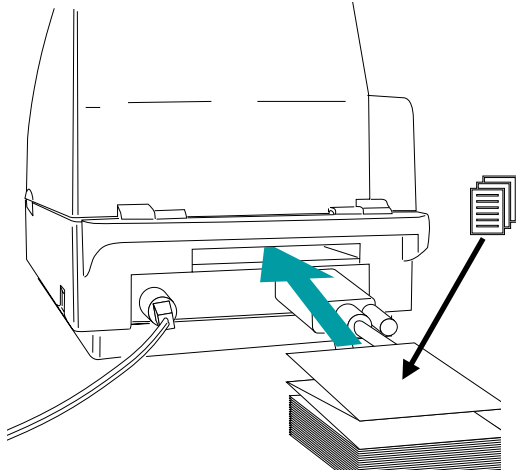


Start your computer and follow the installation instructions on the compact disc (CD).

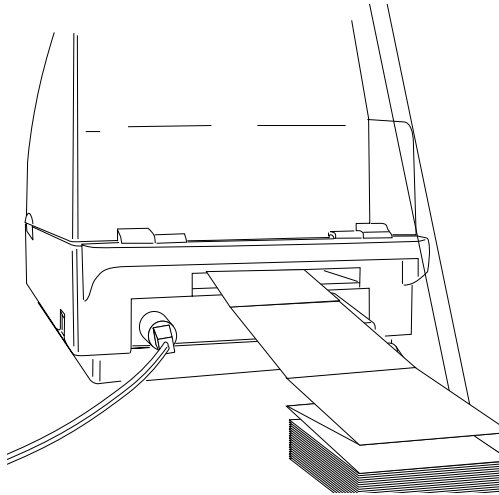
Using Fan-Fold Media

Place Media In Rear

**Face Print
Surface UP**



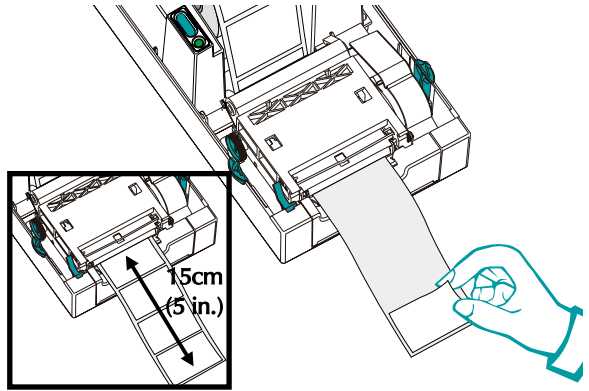
**Insert & Load
Media**



Label Dispenser Printers with an optional label taken sensor can dispense a single peeled label. Remove the label to automatically print the next label.

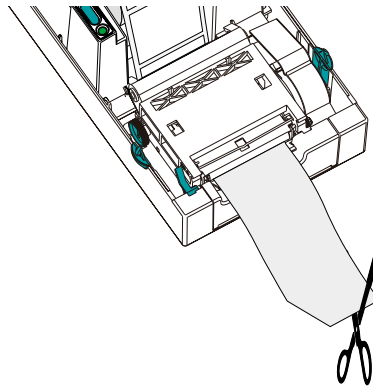


**Expose
15CM of Labels**
(2722 Shown)

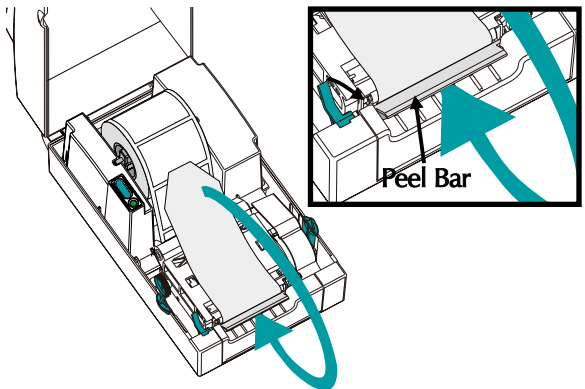


**Peel
Exposed Labels**

**Cut End of
Exposed Liner**
(2722 Shown)



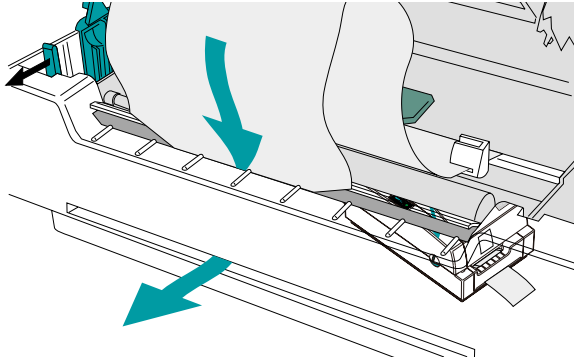
**Pull Print Head
Release Lever**
(2722 Shown)



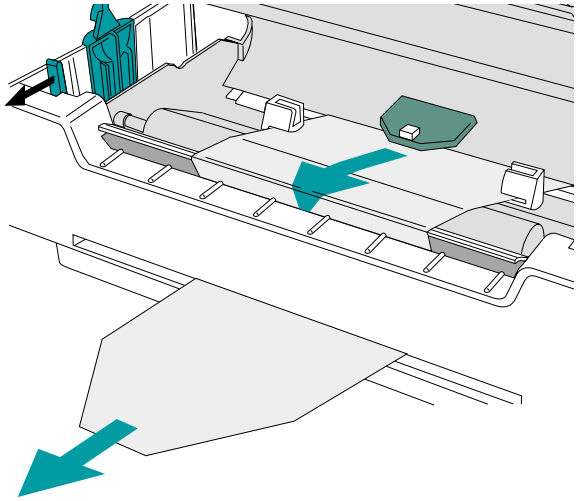
**Insert Liner
Under Peel Bar**

Label Dispense Option

Insert Liner
(2742 Shown)



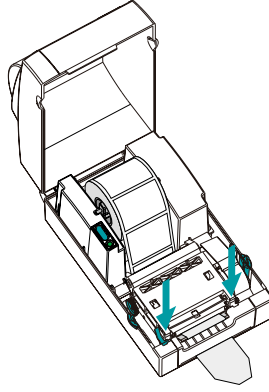
Pull Liner Through
(2742 Shown)



Label Dispense Option

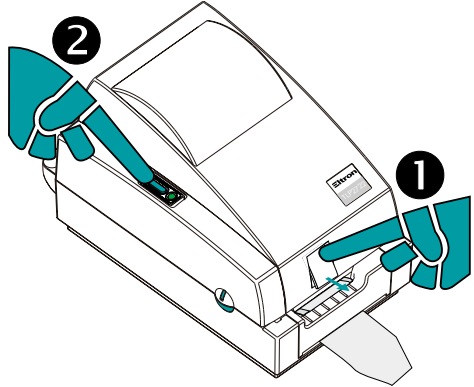
Close Print Head

Close Cover

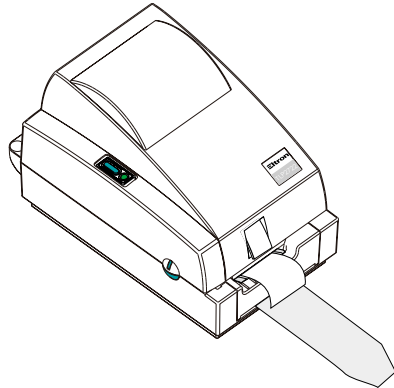


*Push to Open
Label Taken Sensor*

Press FEED Button



*Remove Presented
Label*

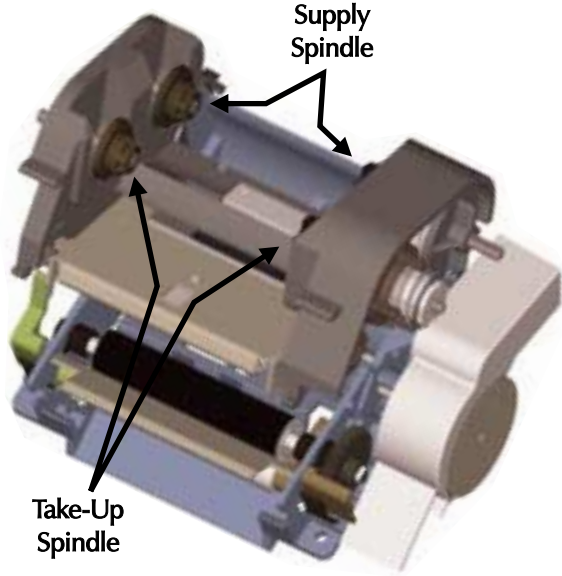


Thermal Transfer Ribbon Loading

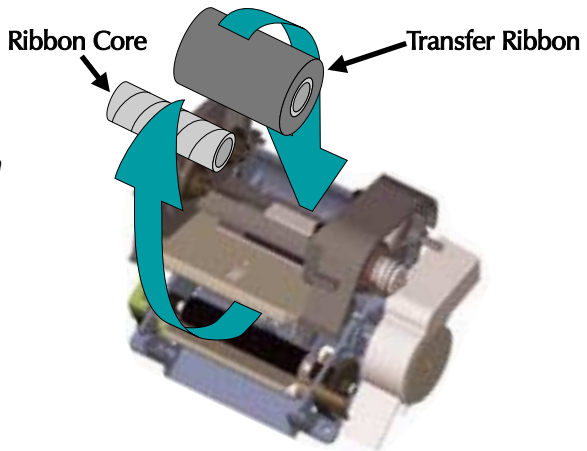


This feature is supported on TLP model printers, only.

*Thermal Transfer
Print Head
Mechanism*



Ribbon Path



Thermal Transfer Ribbon Loading

Open Print Head

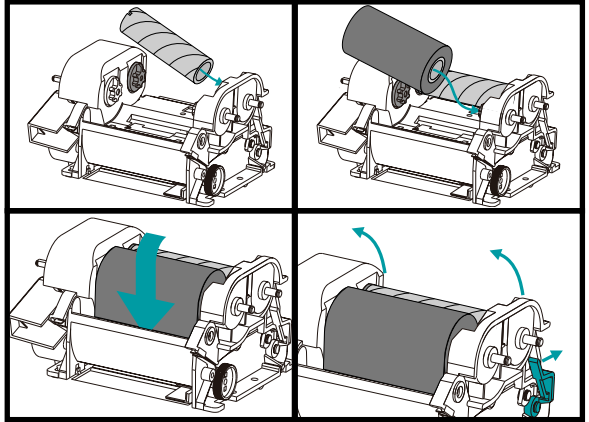
Load Ribbon Core

Load Transfer Ribbon

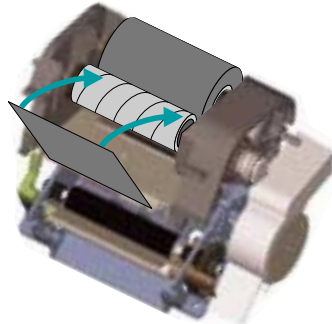
Start Ribbon

Open Print Head

(Rear View)

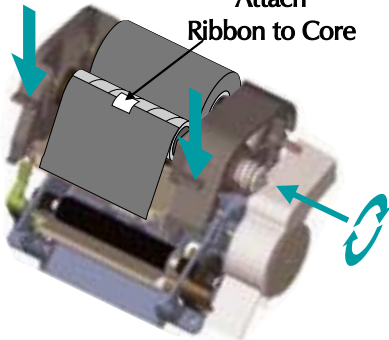


Pull Ribbon Around
Print Head



Attach
Ribbon to Core

Close



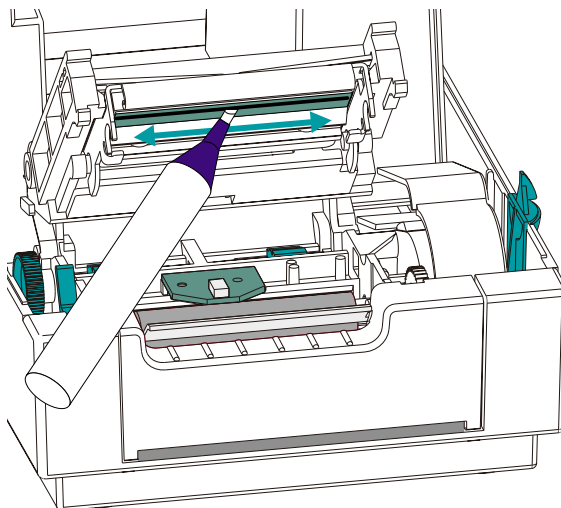
Appendix A - Troubleshooting

Problem	Solution or Reason
POWER indicator does not light GREEN when power switch is turned to ON (1) position.	<ol style="list-style-type: none"> 1. Check power connections from A.C. outlet to power supply to printer.
POWER indicator lights GREEN, but printer will not print.	<ol style="list-style-type: none"> 1. Check interface cable connections from computer to printer.
Printer appears to be working (media is being fed out), but nothing is printed.	<ol style="list-style-type: none"> 1. Verify that the labels are the correct type (direct thermal). 2. Check that the roll is loaded with the direct thermal side facing up. 3. Clean the print head with cleaning pen. 4. For TLP models, check that the ribbon is properly installed.
Printing is faded or poor quality.	<ol style="list-style-type: none"> 1. Clean the print head with cleaning pen. 2. Adjust print speed/darkness in software.
Prints only partial label or skips a label.	<ol style="list-style-type: none"> 1. Perform AutoSense gap sensor adjustment on page 13. 2. Label caught on print head. 3. Print head is not properly latched. 4. Possible software problem. Check the printer memory configuration. Refer to the EPL2 Programming manual.
Printing stops and POWER indicator lights ORANGE or RED.	<ol style="list-style-type: none"> 1. Perform AutoSense gap sensor adjustment on page 13. 2. Possible problem with label stock. Use only approved labels and tags. 3. Possible label jam. 4. Insufficient memory for label size. Check the printer memory configuration. 5. Possible software problem. Refer to the EPL2 Programming manual.

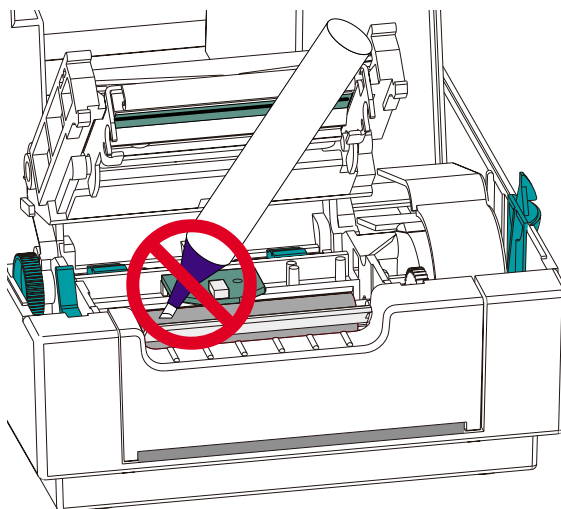
Printer Maintenance



*Clean the
Print Head*



*Don't Clean Rollers
with Cleaning Pen*



**Printer
Configuration
Settings**

The printer has flash (non-volatile) memory to store printer configuration settings. The settings are stored in flash memory and are set by programing, printer drivers or the AutoSense routine. The settings are shown on the Dump mode printout or can be reported back to the host via the serial port.

The following are the basic settings stored in the printer:

Print Mode - Direct (**OD**) or Thermal Transfer (**O**)
Speed (**S**)
Density (**D**) or heat applied
Form (label) length and gap in dots (**Q**)
Form (label) width in dots (**q**)
Serial Port (**Y**)
Margin (**R**)
Buffer Mode (**r**)

Options: D

Print Mode is Direct Thermal (**OD**)

**Dump Mode
Printout**

(See the **U** command in the Programmer's manual for details)

```
2UK01813L V4.04
Serial port:96,N,8,1
Page Mode
-----
Image buffer size:0245K
Fmem:000.0K,061.4K avl
Gmem:000K,0045K avl
Emem:024K,0045K avl
I8.0,001 rY
S2 D07 R024,000 ZT UN
q432 0832,027
Option:
04 07 11

now in DUMP
```

Serial Interface Communication Configuration

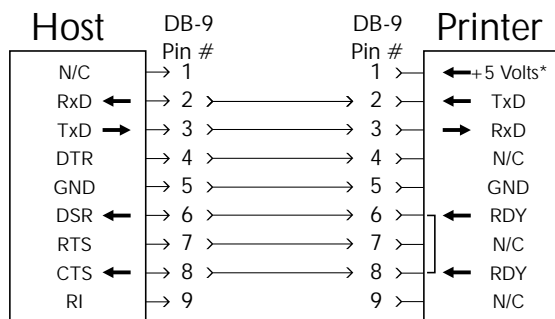
The printer's serial port is configured with the **Y** command for the printer. The printer supports interface data rates from 1200 to 38,400 baud. See the programmer's manual for details.

The printer's serial port default configuration is:

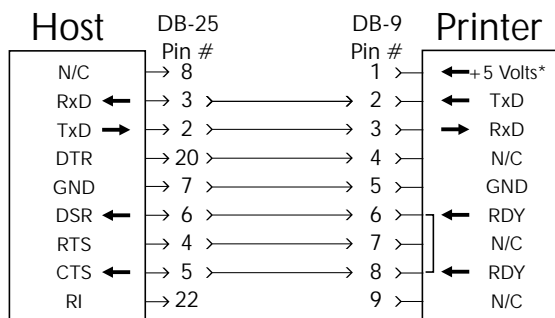
- 9600 baud
- 8 bit data
- 1 stop bit
- No parity

RS-232 Serial Interface Cable Wiring

The figure below displays the cable wiring required to use the printer's serial interface.



Female DB-9 to Male DB-9

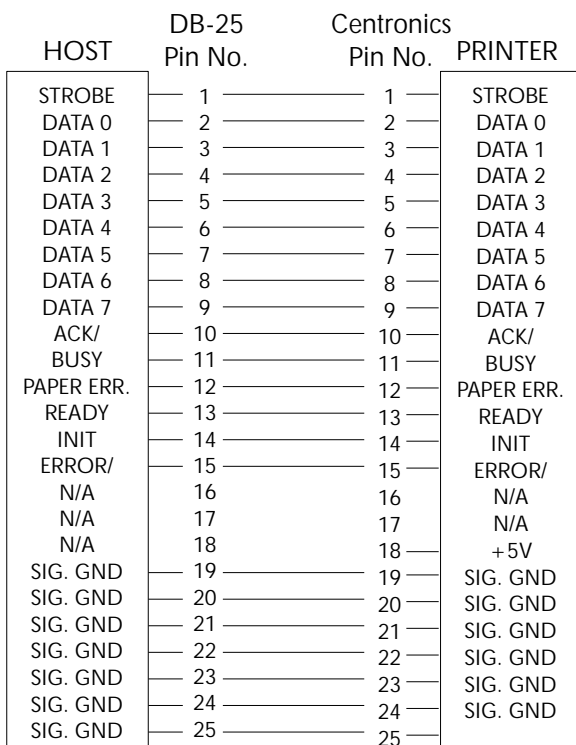


Female DB-25 to Male DB-9

* +5 volts at 150 mA for external device (e.g. KDU or scanner)

**Parallel Interface
Cable Wiring**

The figure below displays the cable wiring required to use the printer's Centronics parallel interface.



**Female DB-25 to Male Centronics
(Cable)**

+5 volts at 300 mA for external device (e.g. PrintServer)

